

RF Coaxial Connectors

Coaxial FAKRA Connectors : VC-2 Series

■ Features

1. Complete connection is ensured by the push-on mold locking structure.
2. Key codes are available in different colors for different connection.
3. Complies with ISO20860-1, ISO20860-2, DIN72594-1, DIN72594-2, SAE/USCAR-17, and SAE/USCAR-18.
4. Waterproof type is also available (mating waterproof of IPX7).
5. Cable Jack : Multiple cable pull-out directions are available.
6. Reduces the piece part numbers and contributes to improving assembly workability.

■ Specification

- Nominal Impedance : 50Ω
- Switch : Without
- Rating : 60V AC/DC, 1A
- Operating Temperature Range : -40°C to +105°C

■ Lineup List

□□:Part No. is changed by key codes and color codes. Please contact us for more information.

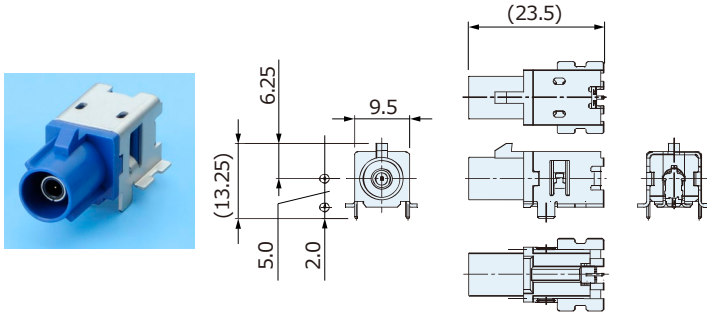
Type	Mounting Direction	Mounting Method	Part No.	Frequency	Waterproof	Others
Plug for PCB	Right Angle	SMT (Reflow)	CRC5001-58□□F	6GHz		
		DIP (Reflow)	CRC5001-90□□F	4GHz		
		DIP (Flow)	CRC5001-70□□F	4GHz		
	Vertical	DIP (Reflow)	CRC5001-64□□F	4GHz		
Plug for PCB (Mid Mount)	Right Angle	SMT (Reflow)	CRC5001-66□□F	4GHz		
		SMT (Reflow)	CRC5001-74□□F	4GHz	○	With chassis wall

Type	Cable Direction		Part No.	Frequency	Waterproof	Others
Cable Plug	Straight		CRC1001-52□□F	4GHz		
			CRC1001-56□□F	4GHz		Rotation
			CRC1001-57□□F	4GHz	○	
Cable Jack	Straight		CRS9001-23□□F	4GHz		
			CRS9001-45□□F	4GHz	○	
			CRS9001-38□□F	4GHz	○	Rotation
	Right Angle	Pull-out direction : 6 o'clock	CRS9001-46□□F	4GHz	○	
Cable Jack Low Profile	Right Angle	Pull-out direction : 9 o'clock	CZF2100-02□□F	6GHz	○	
		Pull-out direction : 3 o'clock	CZF2100-03□□F	6GHz	○	
		Pull-out direction : 6 o'clock	CZF2100-13□□F	6GHz	○	

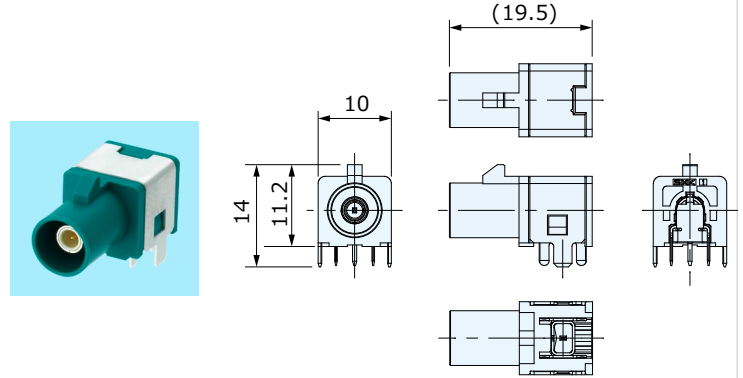
RF Coaxial Connectors

Coaxial FAKRA Connectors : VC-2 Series

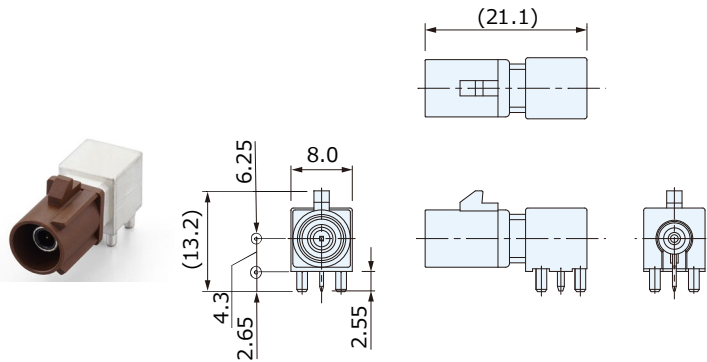
Plug for PCB
CRC5001-58□□F



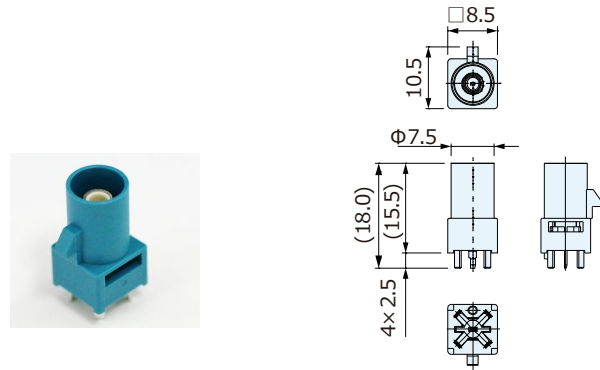
Plug for PCB
CRC5001-90□□F



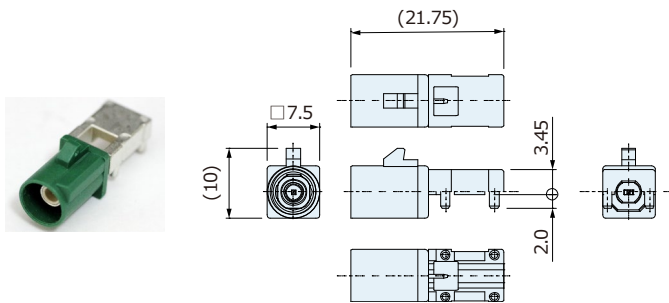
Plug for PCB
CRC5001-70□□F



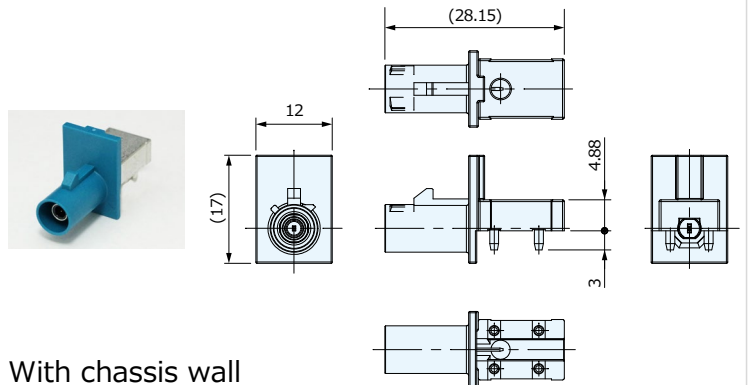
Plug for PCB
CRC5001-64□□F



Plug for PCB (Mid Mount)
CRC5001-66□□F



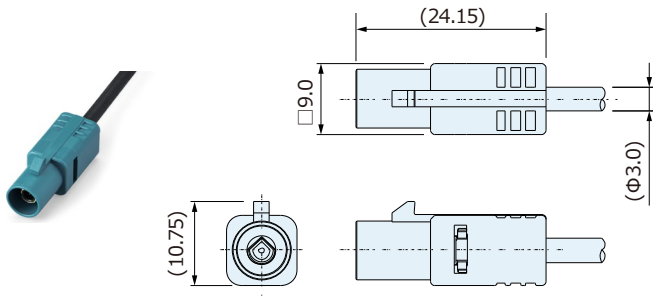
Plug for PCB (Mid Mount · Waterproof)
CRC5001-74□□F



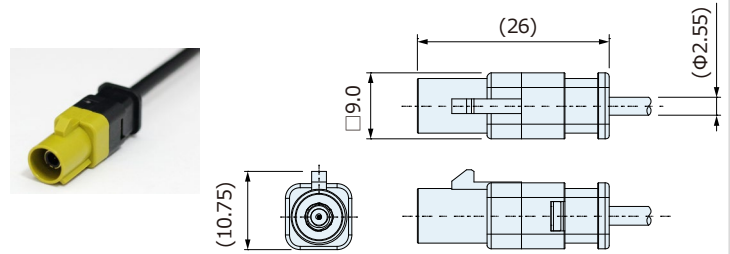
RF Coaxial Connectors

Coaxial FAKRA Connectors : VC-2 Series

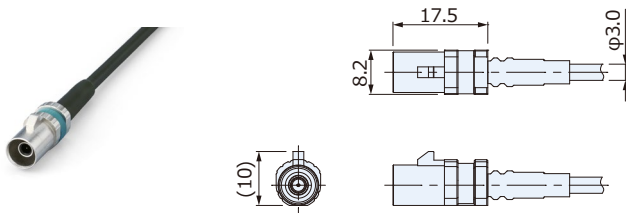
Cable Plug
CRC1001-52□□F



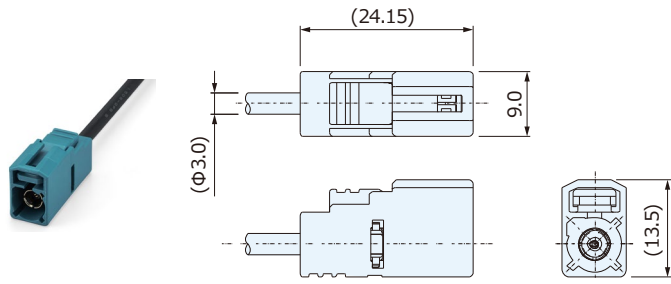
Cable Plug (Rotation)
CRC1001-56□□F



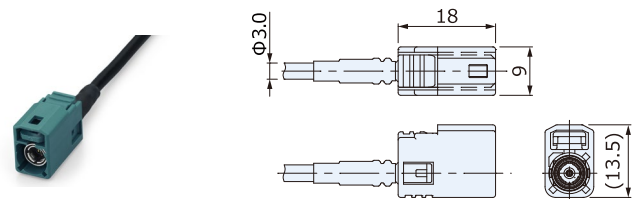
Cable Plug (Waterproof)
CRC1001-57□□F



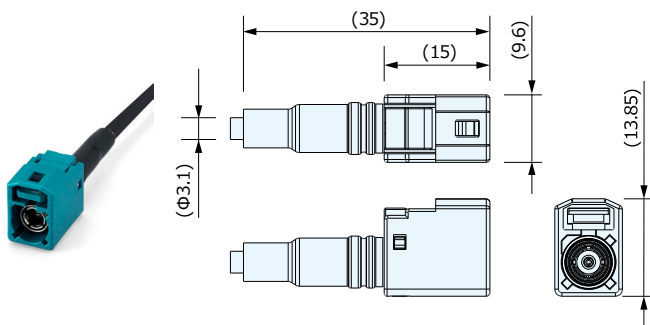
Cable Jack
CRS9001-23□□F



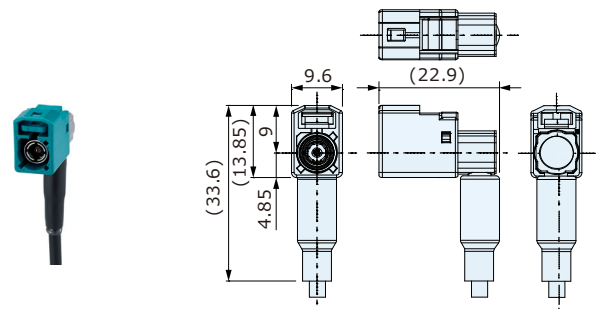
Cable Jack (Waterproof)
CRS9001-45□□F



Cable Jack (Waterproof · Rotation)
CRS9001-38□□F



Cable Jack (Waterproof)
CRS9001-46□□F

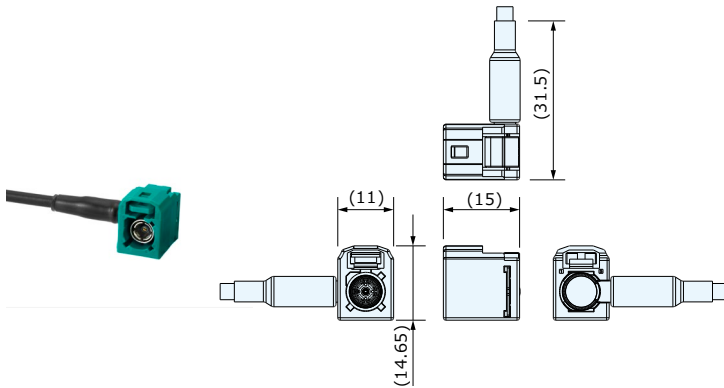


Cable pull-out direction : 6 o'clock

RF Coaxial Connectors

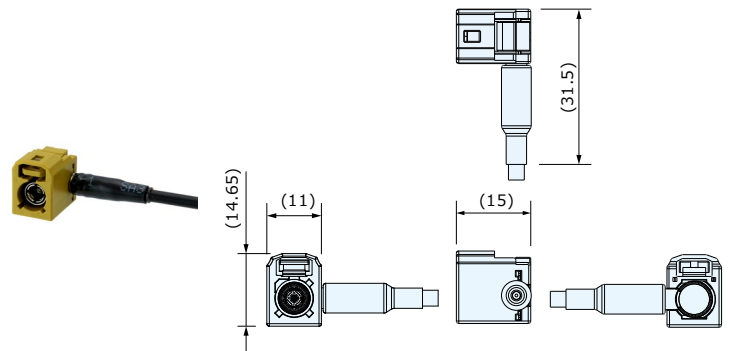
Coaxial FAKRA Connectors : VC-2 Series

Cable Jack (Low Profile • Waterproof)
CZF2100-02□□F



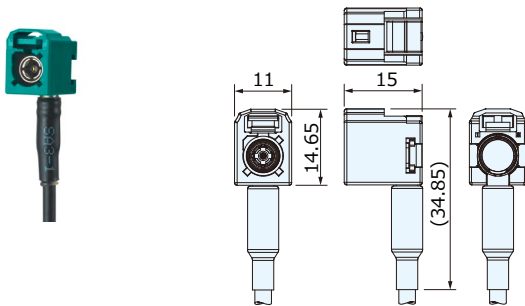
Cable pull-out direction : 9 o'clock

Cable Jack (Low Profile • Waterproof)
CZF2100-03□□F



Cable pull-out direction : 3 o'clock

Cable Jack (Low Profile • Waterproof)
CZF2100-13□□F



Cable pull-out direction : 6 o'clock