

# Interface Connectors

Click the light blue part number to go to the detail page

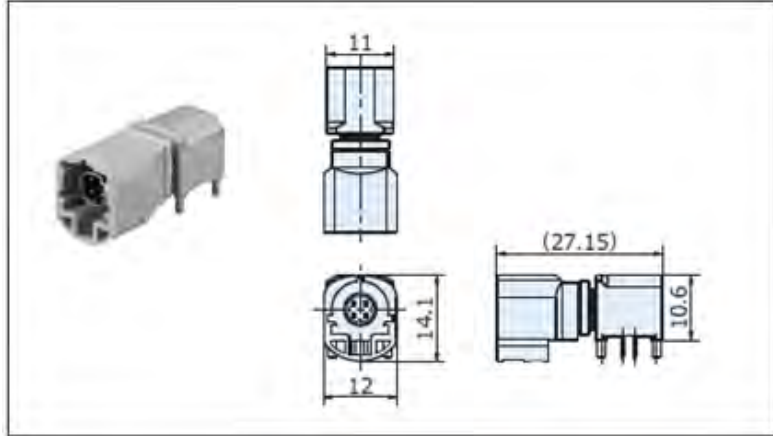
## High Speed Data Connectors

- For high speed transmission such as LVDS, USB 2.0 and Ethernet
- Various key code option and color codes are available
- For automatic mounting

□□: : Part No. is changed by key codes and color codes Please contact us for more information

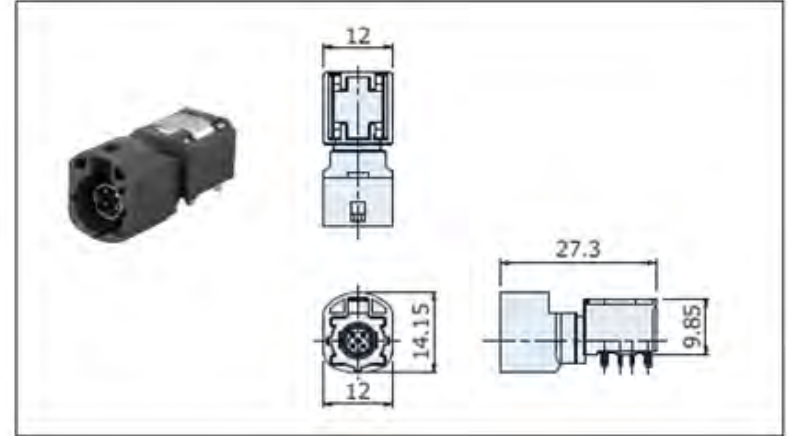
### Plug Right Angle

[CSC5004-5B](#)□□F



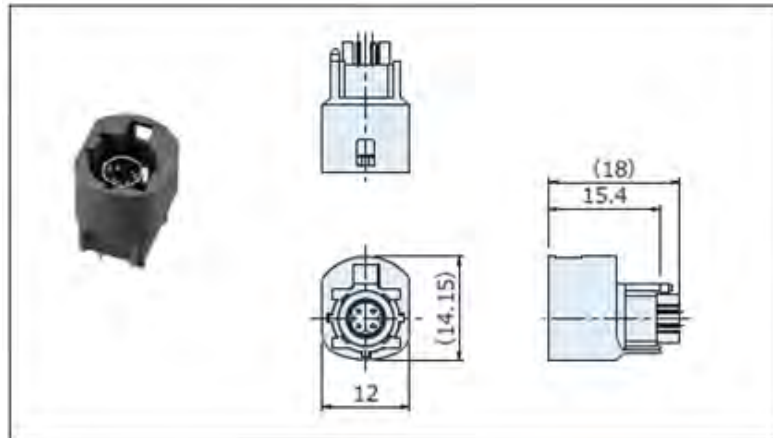
### Plug Right Angle

[CSC5004-5C](#)□□F



### Plug Vertical

[CSC5004-6C](#)□□F



### Cable Jack

[CSS1004-50](#)□□F

