

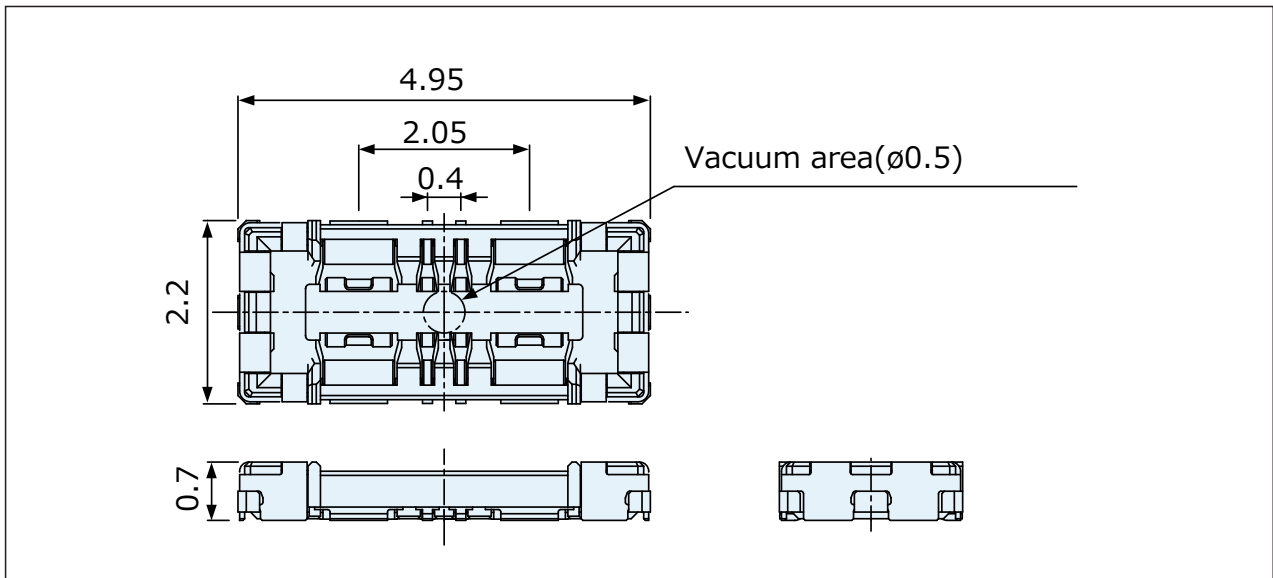
FPC to Board Connectors

FB-9 Series



- Large current rating 15A
- Low profile type

Socket CPBC308-0301F



Plug CPBC408-0301F

