

RF Coaxial Connectors

Coaxial FAKRA Connectors VC/VC-2 Series







- Push-on mold locking structure
- Various key code option and color codes are available
- Conforms to ISO20860-1,2, DIN72594-1,2, SAE/USCAR-17,18 (VC-2 Series)
- Rating : AC/DC 60V 1A
- Frequency Range : DC~4GHz
- V.S.W.R. : 1.3max.(DC ~ 2GHz), 1.5max(2 ~ 4GHz)
- Nominal Impedance : 50Ω
- Operating Temperature Range : -40°C ~ +105°C
- Applicable Cable : corresponds to 1.5D(φ3.0mm)

RF Coaxial Connectors









Click the light blue part number to go to the detail page

Coaxial FAKRA Connectors VC/VC-2 Series

Plug for PCB

Part No.	CRC5001-XX□□F (Single)/CRC5002-XX□□F(2Step)									
Mounting	Flow				Reflow					
Type	Single DIP			2Step DIP	Single					
XX	39	48	70	44	47	58	64	66	74	
Image										Waterproof

Cable Type

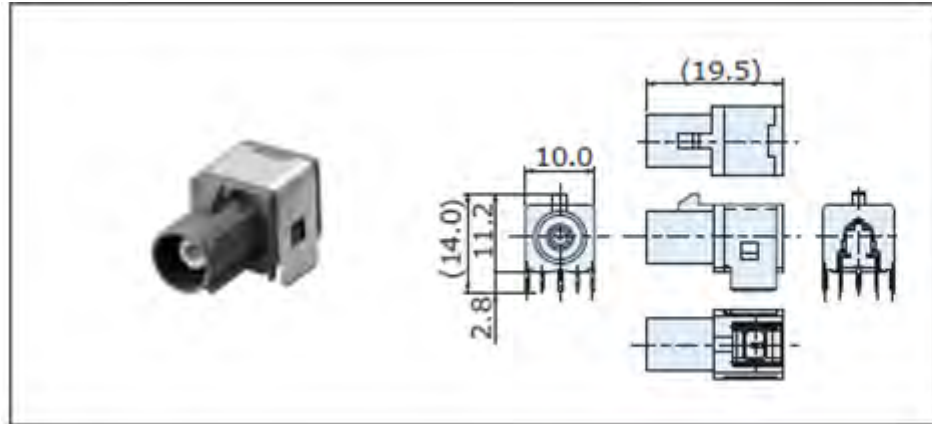
Part No.	CRC1001-XX□□F (Cable Plug)/CRS9001-XX□□F(Cable Jack)							
Type	Single Cable Plug			Single Cable Jack			Single Cable Rotary Type Cable Jack	
XX	52	56	57	23	30	46	38	47
Image			 Waterproof		 Waterproof	 Waterproof	 Waterproof	 Waterproof

RF Coaxial Connectors

Coaxial FAKRA Connectors VC/VC-2 Series

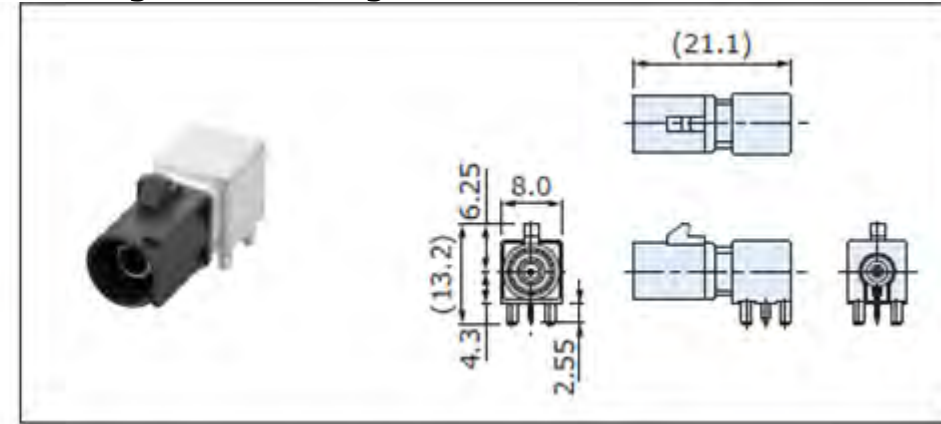
VC Plug for PCB · Single · DIP

CRC5001-39 □ □ F

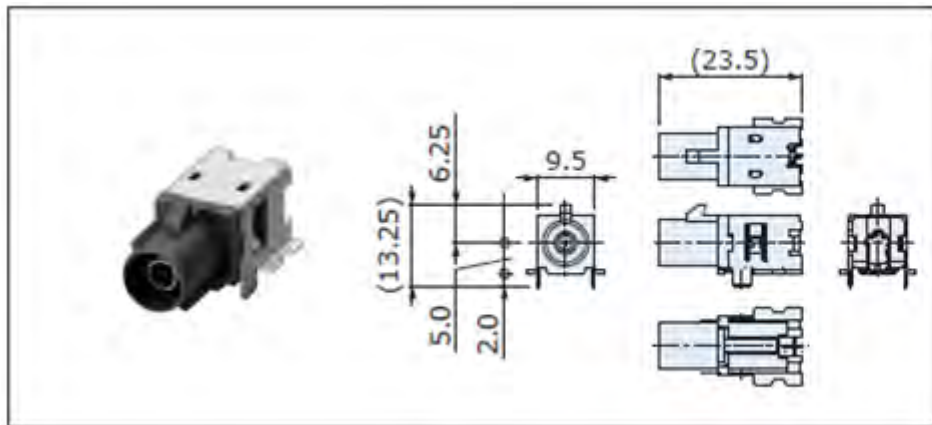


VC Plug for PCB · Single · DIP

CRC5001-70 □ □ F

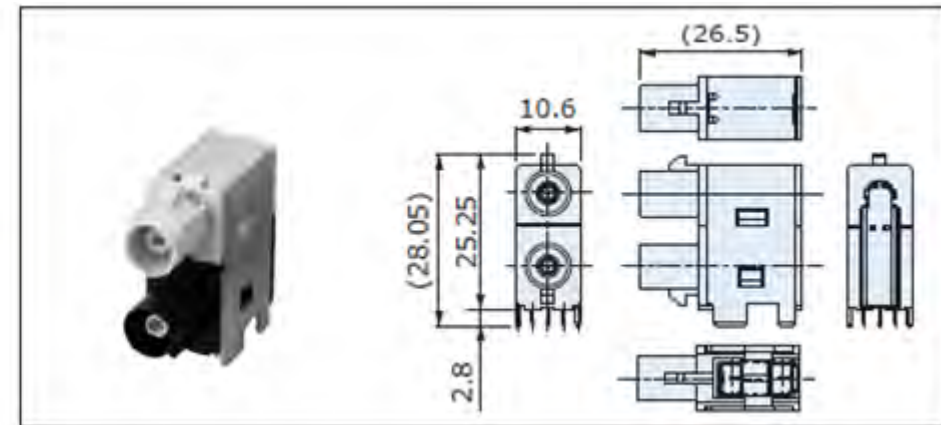


VC Plug for PCB · Single · Reflow DIP CRC5001-58 □ □ F



VC Plug for PCB · Step · DIP

CRC5002-44 □ □ F



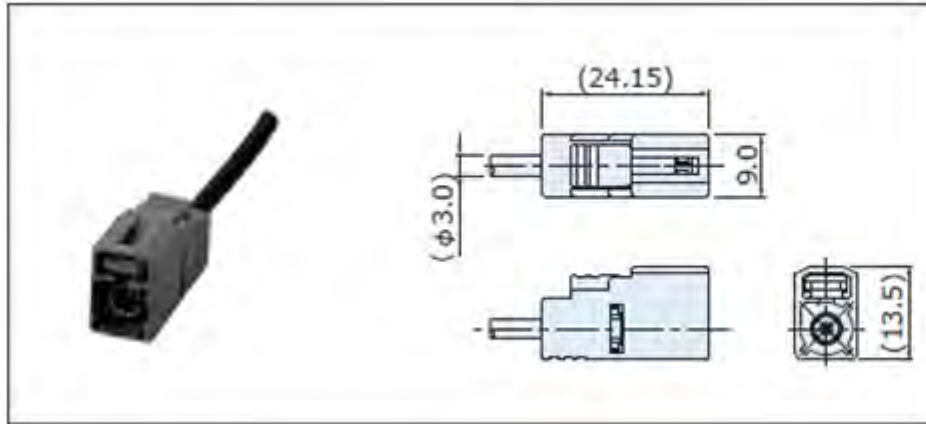
RF Coaxial Connectors

Click the light blue part number to go to the detail page

Coaxial FAKRA Connectors VC/VC-2 Series

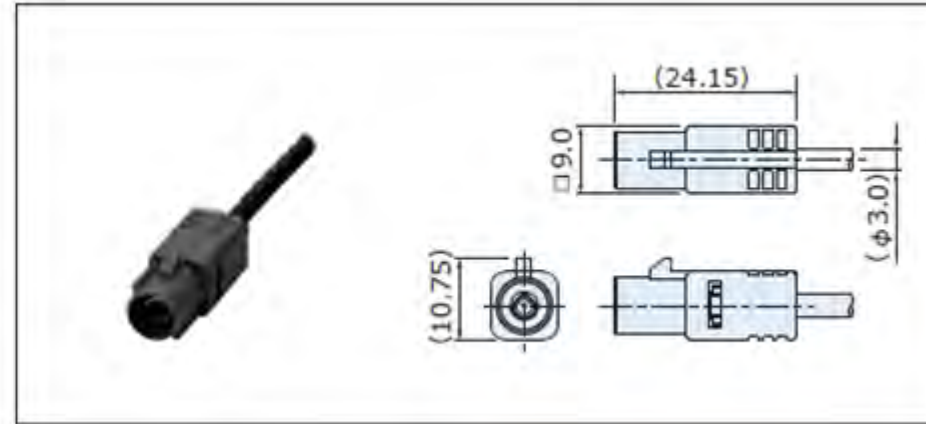
VC-2 Cable Jack

[CRS9001-23](#) □ □ F



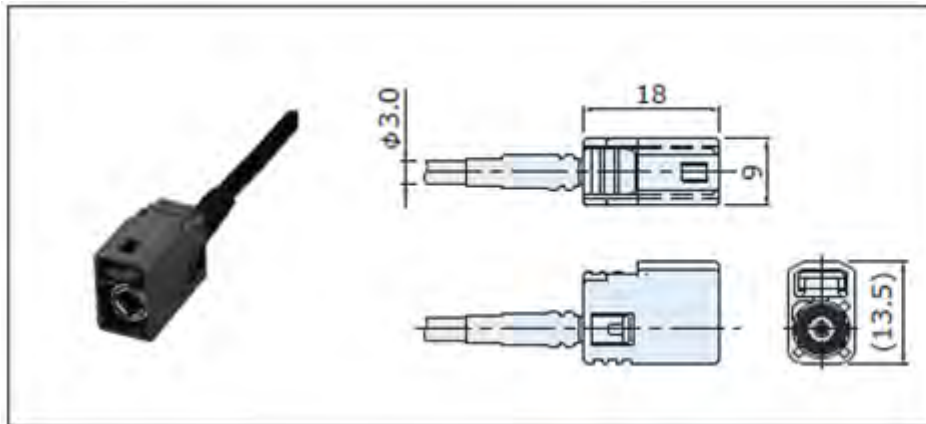
VC-2 Cable Plug

[CRC1001-52](#) □ □ F



VC-2 Cable Jack Waterproof

[CRS9001-30](#) □ □ F



VC-2 Cable Plug Waterproof

[CRC1001-57](#) □ □ F

